

▶ FRAME ACCESSORIES

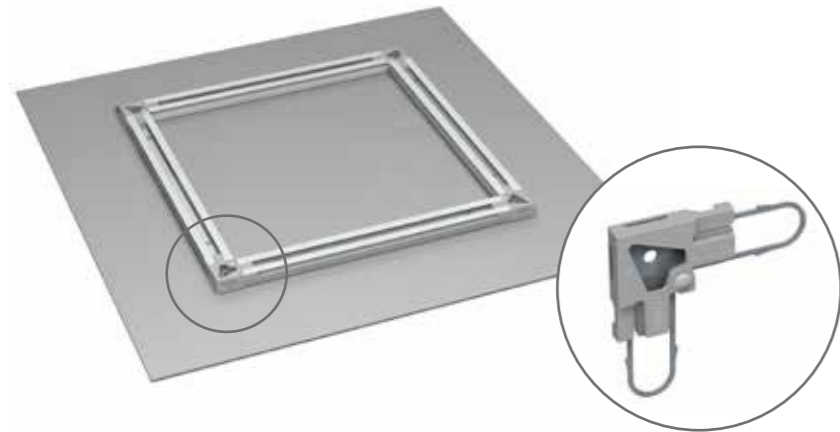


SIMPLE
SAFE
STRONG

ARTITEQ BACK FRAME HANGING SYSTEM



The Artiteq Back Frame Hanging System is a mounting system especially for thin and flexible panels made of aluminium, forex or acrylic. It helps to stiffen the panel, whilst mounting remains easy and safe. Using the Back Frame Hanging System also adds depth and shadow between panel and wall. The Artiteq Back Frame Power Corners provide 3 easy ways of hanging a printed panel : Fixed (1), Secured (2) and Flexible (3).



POWER CORNERS

1. Wall protection incorporated
2. Less tape, better load capacity
3. No extra accessories needed
4. Easy hanging, 3 options (fixed - secured - flexible)

ARTITEQ BACK FRAME HANGING SYSTEM

BACK FRAME RAIL 8 mm 300 cm ALU MILL FINISH	BACK FRAME RAIL 8 mm 300 cm SILVER ANODISED	BACK FRAME RAIL 15 mm 300 cm ALU MILL FINISH	BACK FRAME RAIL 15 mm 300 cm SILVER ANODISED
05.16300	05.16301	05.17300	05.17301



installation video

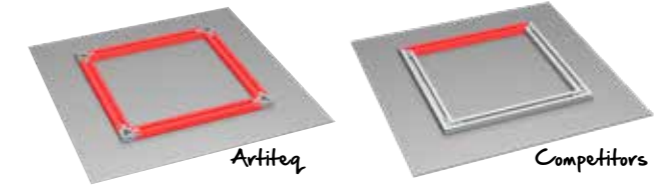
BACK FRAME POWER CORNER 8 mm (SET OF 4)	BACK FRAME POWER CORNER 15 mm (SET OF 4)	TAPE 3M 12 mm 33 M	BACK FRAME SECURITY CLIP (4 CLIPS, 4 PLUGS, 4 SCREWS)	BACK FRAME SECURITY KEY	BACK FRAME FLEX BUMPER
05.16010	05.17010	05.16050	05.16060	05.16030	05.16040
3M VHB CLEANING TISSUES 05.16055					

ARTITEQ BACK FRAME HANGING SYSTEM

POWER CORNERS



LESS TAPE, BETTER LOAD CAPACITY



Rigid fixing thanks to steel spring!

Power Corners enable equal weight distribution because of rigid fixing thanks to steel spring in square-cut profiles instead of mitre-cut profiles.

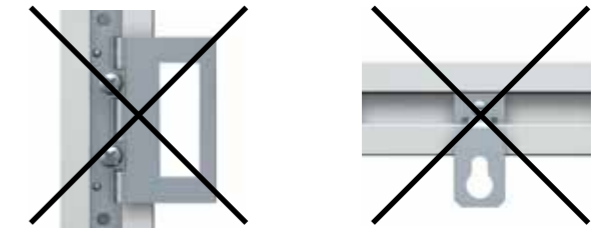
WALL PROTECTION INCORPORATED

Wall protection is incorporated in the Power Corners.



NO EXTRA ACCESSORIES NEEDED

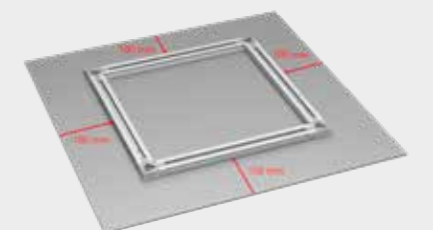
The printed panel is hung using the Power Corners, no extra accessories needed.



We recommend using 3M tape (general advice 3M: 25 cm²/kg) for printed panels made of aluminium, hard-foam, forex, acryl and glass. The below table applies when Back Frame Hanging System profiles are applied at max. 100 mm from each of the sides of the printed panel (see A). The table applies for panels with a maximum total weight of 30 kg and a minimum size of 400 x 400 mm.



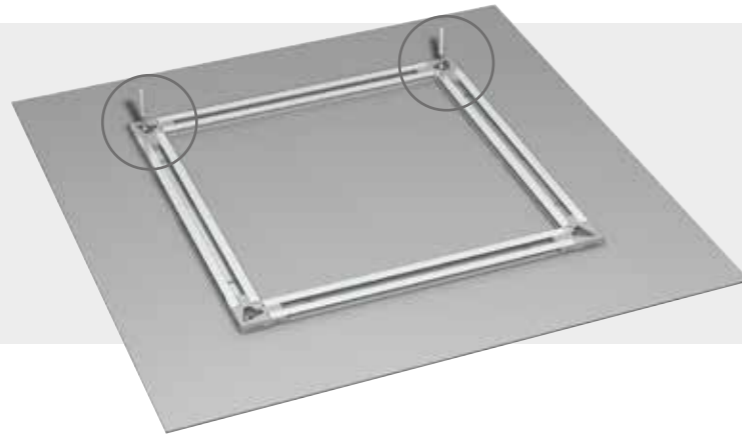
	MATERIAL	THICKNESS	TAPE	FOR SURFACES
	Dibond	3-6 mm	Single tape 12 mm	Up to 4 m ²
	Forex	3-5 mm	Single tape 12 mm	Up to 4 m ²
	Acryl	3-5 mm	Single tape 12 mm	Up to 4 m ²
	Glass	6 mm	Double tape 24 mm	Up to 2 m ²



ARTITEQ BACK FRAME HANGING SYSTEM

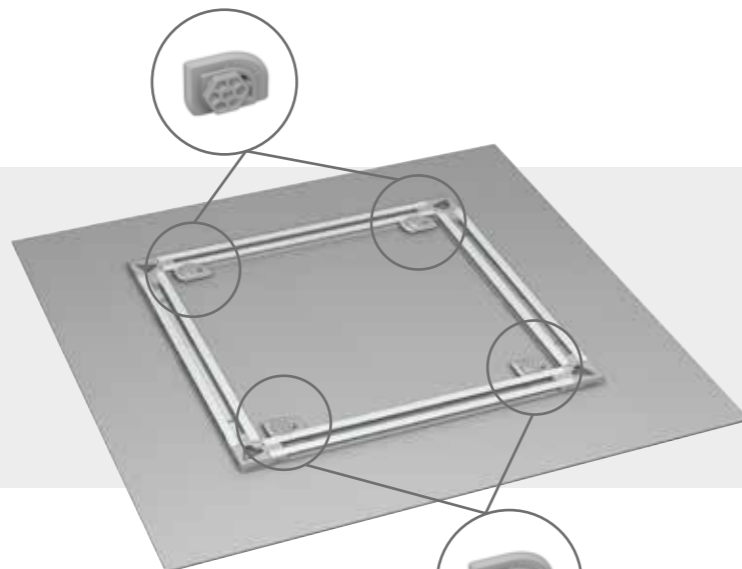
1 FIXED

Power Corners include a levelling system for the mounted panel, enabling accurate hanging without new holes having to be drilled.



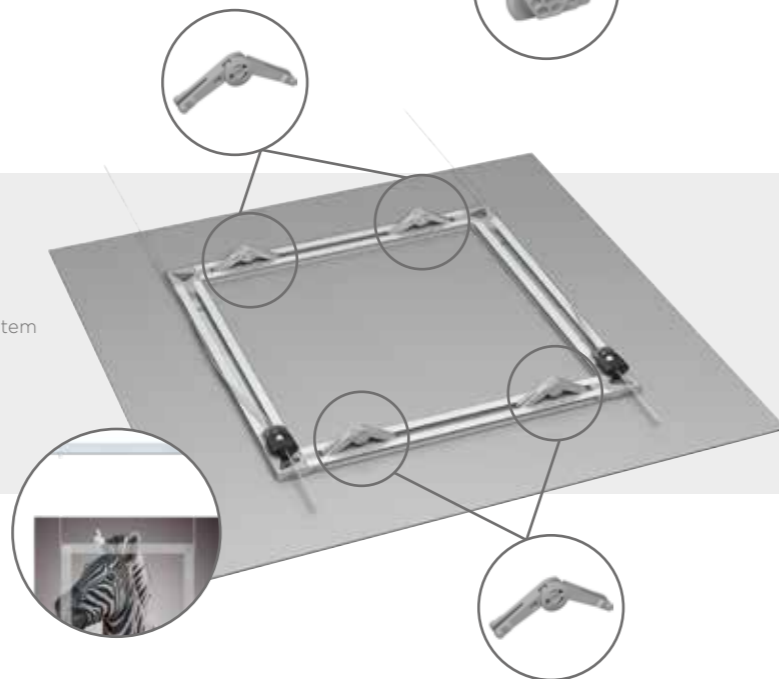
2 SECURED

The panel can be fixed and secured to the wall using 4 Back Frame Security Clips.



3 FLEXIBLE

Combining the Back Frame Hanging System with a picture hanging system means flexibility and ease-of-use whilst adding decoration to walls.



ACCESSORIES FOR FRAMES AND PANELS



D-RING HANGER

SCREW D-RING

ARTICLE NO. 805.249

9.4911



FRAME HANGER
1-1,5 mm STEELWIRE
(MAX. 10 kg)

FRAME HANGER
1,5-2 mm STEELWIRE
(MAX. 15 kg)

ARTICLE NO. 7805.055

7805.050



SET D-RING
(1 SET)

SECURITY SET

SET FOLDING EYE
(12 PIECES)

SET CONCRETE
HOOKS (4 PIECES)

SET WALL HOOKS
(12 PIECES)

ARTICLE NO. 4055

4054

4057

4058

4059

SPOOL



STEELWIRE
1 mm SPOOL 1x19

STEELWIRE
1,2 mm SPOOL 1x19

STEELWIRE
1,5 mm SPOOL 1x19

PERLON
2 mm SPOOL

ARTICLE NO. 100 m

9.4904

9.4955

9.4990

9.4404

ARTICLE NO. 500 m

-

-

-

9.4421S



PRESSING NIPPLE
1-1,2 mm

WIRE CLAMP
1,5 mm ALU

WIRE CLAMP
2 mm ALU

HANGING NIPPLE

ARTICLE NO. 9.4905

9.4430

9.4431

9.4211

ACCESSORIES FOR FRAMES AND PANELS



DIBOND HANGER

- ARTICLE NO. 809.510 50 X 52 mm (MAX. 1 KG)
- ARTICLE NO. 809.520 70 X 70 mm (MAX. 2 KG)
- ARTICLE NO. 809.530 100 X 100 mm (MAX. 4 KG)
- ARTICLE NO. 809.540 100 X 200 mm (MAX. 8 KG)



SPACERS
TRANSPARENT, SELF-ADHESIVE

ARTICLE NO. 809.001 12,5 x 12,5 x 5,7 mm



SPACERS
FOAM, SELF-ADHESIVE

ARTICLE NO. 809.002 20 x 20 x 15 mm



FRAME HANGER FOR
USE WITH WOOD

ARTICLE NO. 808.650



FRAME HANGER FOR
USE WITH ALUMINIUM

ARTICLE NO. 808.720



SET FRAME HANGERS
L&R

ARTICLE NO. 808.600

MISCELLANEOUS



TILE HANGER 1X
32 mm (MAX. 200 gr)

ARTICLE NO. 808.130



PLATE HANGER 1X
18-24 cm (MAX. 1 kg)

ARTICLE NO. 807.025



SET ADHESIVE
HANGER 30mm
(8 PIECES)

ARTICLE NO. 4050



SET TILE HANGER
(4 PIECES)

ARTICLE NO. 4051



SET FRAMEHOOK +
HANGING
(12 PIECES)

ARTICLE NO. 4056



TILT REDUCER
11x5x29 mm

ARTICLE NO. 805.300



SET TILT REDUCER
(2 PIECES)

ARTICLE NO. 9.6635